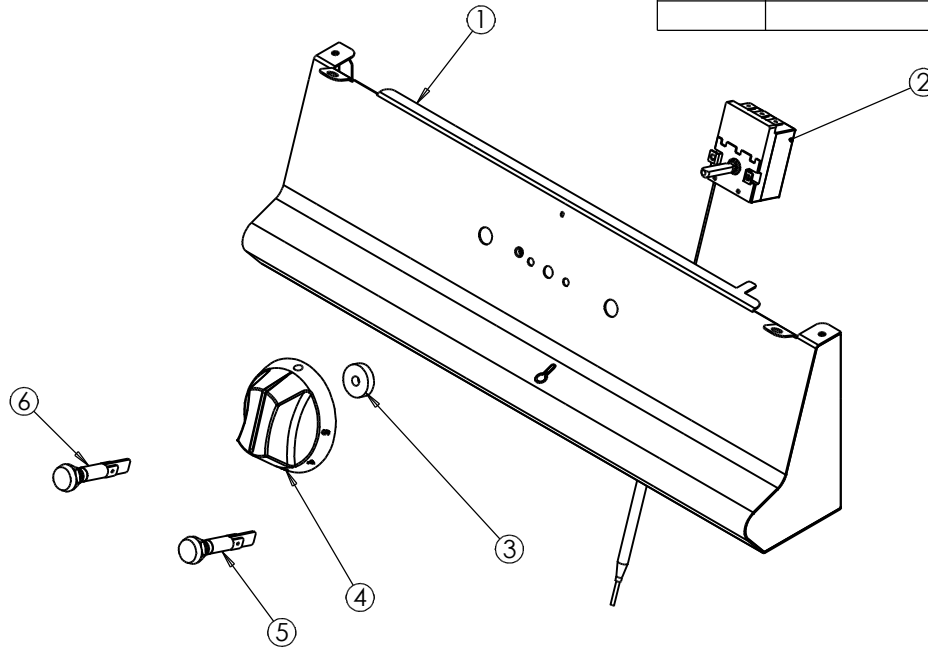


ITEM No	DESCRIPTION	SPARES No
1	CONTROL PANEL	735850002
2	OPERATING THERMOSTAT	735850004
3	RESISTANCE GROMMET	536430005
4	CONTROL KNOB	735850003
5	AMBER NEON	731740440
6	RED NEON	730962010



PRODUCTION ISSUE

ISSUE	MOD No	ALTERATION	DRAWN BY	DATE
A	1362-3	PRODUCTION ISSUE	S.McGUINNESS	07/03/14
B	7210	OPERATING STAT NUMBER CHANGED	S.McGUINNESS	13/11/14

IF IN DOUBT ASK
DO NOT SCALE
FIRST ANGLE PROJECTION

UNLESS OTHERWISE SPECIFIED:
DIMENSIONS ARE IN MILLIMETERS
TOLERANCES:
LINEAR: ±0.5mm
ANGULAR: ±0.5 DEG

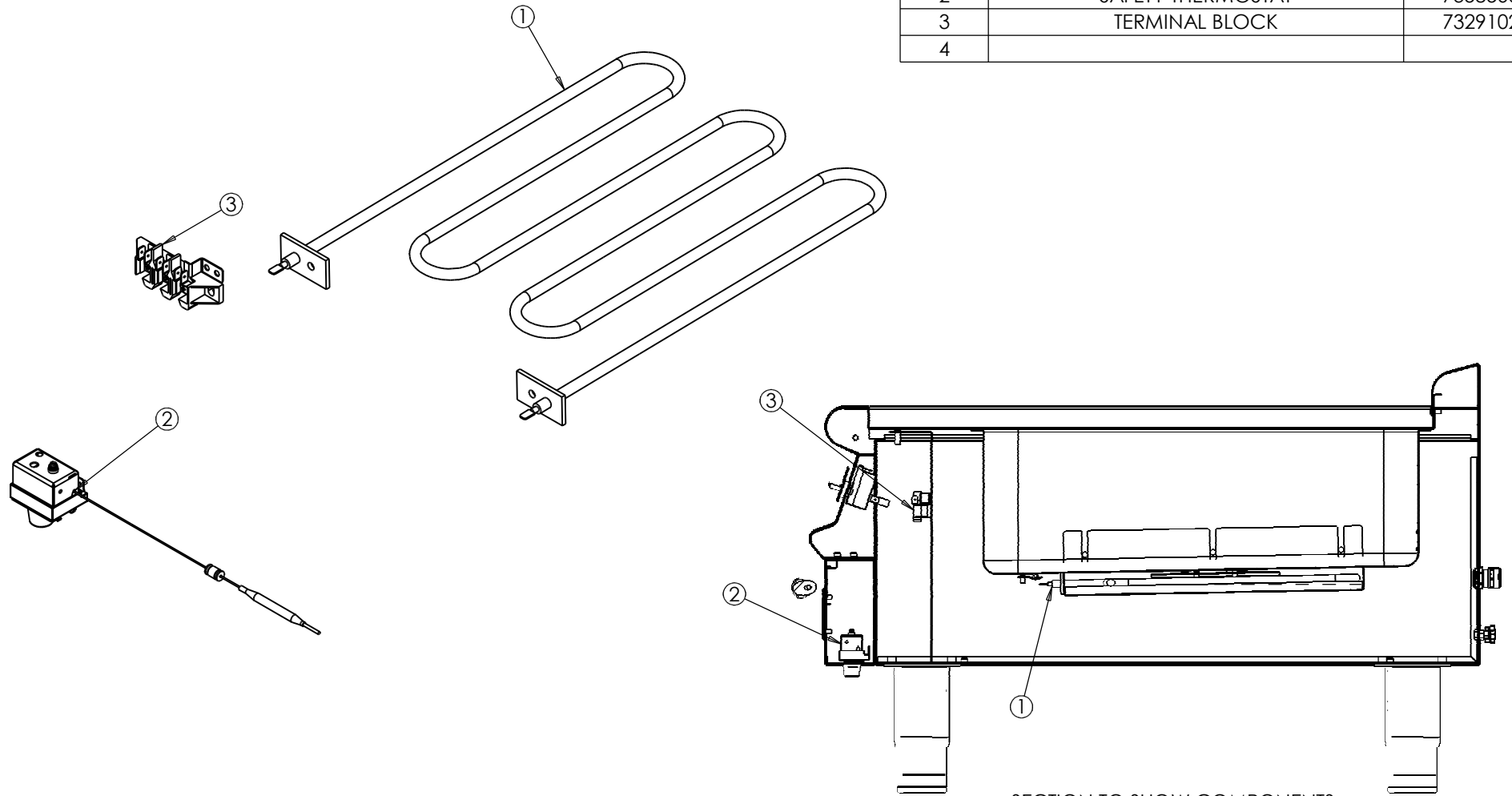
DEBUR AND
BREAK SHARP EDGES

WEIGHT: g



DRAWN: S.McGUINNESS	PRODUCT	
DATE: 10/09/12	E3407 BAIN MARIE	
SCALE: 1:3	TITLE	
	SPARES - CONTROL PANEL	
MATL:	DRAWING NUMBER	ISSUE
THICKNESS:	FINISH:	AD49898
BIN No:	PART No:	B

ITEM No	DESCRIPTION	SPARES No
1	ELEMENT	539113140
2	SAFETY THERMOSTAT	735850005
3	TERMINAL BLOCK	732910270
4		



SECTION TO SHOW COMPONENTS

PRODUCTION ISSUE

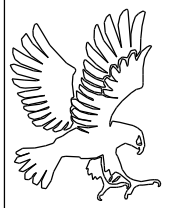
ISSUE	MOD No	ALTERATION	DRAWN BY	DATE
A	1362-3	PRODUCTION ISSUE	S.McGUINNESS	07/03/14
B	7210	SAFETY STAT NUMBER CHANGED	S.McGUINNESS	13/11/14

IF IN DOUBT ASK
DO NOT SCALE
FIRST ANGLE PROJECTION

UNLESS OTHERWISE SPECIFIED:
DIMENSIONS ARE IN MILLIMETERS
TOLERANCES:
LINEAR: ±0.5mm
ANGULAR: ±0.5 DEG

DEBUR AND
BREAK SHARP EDGES

WEIGHT: g



DRAWN: S.McGUINNESS	PRODUCT	
DATE: 10/09/12	E3407 BAIN MARIE	
SCALE: 1:3	TITLE	
	SPARES - ELECTRICS	
MATL:	DRAWING NUMBER	ISSUE
THICKNESS:	FINISH:	AD49897
BIN No:	PART No:	B

© NO REPRODUCTION OR PUBLICATION OF THIS DRAWING MAY BE MADE AND NO ARTICLE MAY BE MANUFACTURED OR ASSEMBLED IN ACCORDANCE WITH THIS DRAWING WITHOUT PRIOR WRITTEN CONSENT. THIS PROHIBITION IS A TERM OF ANY CONTRACT RELATING TO THIS DRAWING. RIGHTS RESERVED UNDER THE COPYRIGHT ACT 1956 AS AMENDED BY THE DESIGN COPYRIGHT ACT 1968